

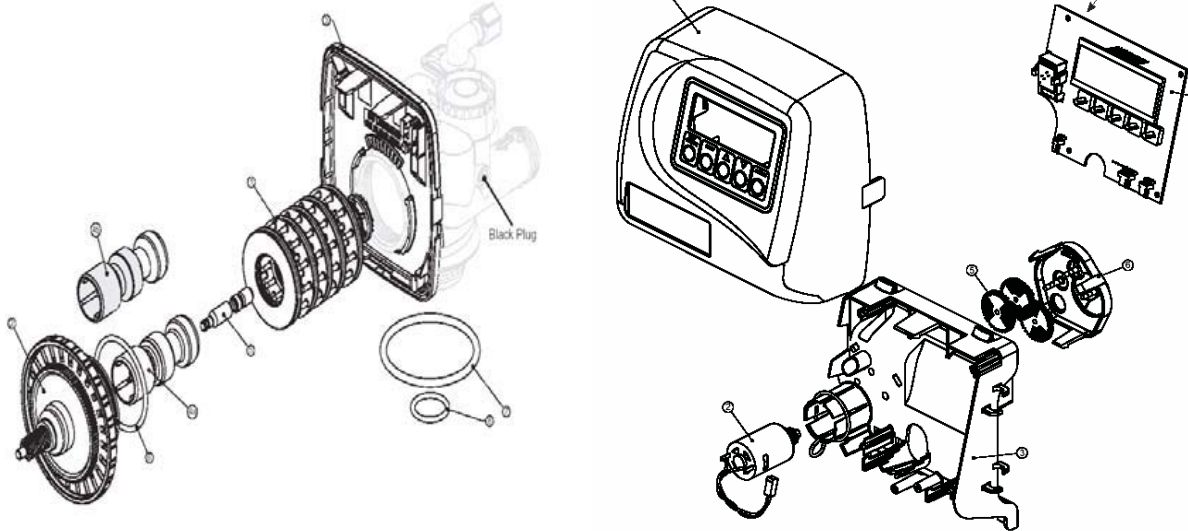
Choose Simplicity

- Full Ported 1" Control Valve Softener or Filter
- Flow Rate With Bypass Valve 27 GPM
- Backwash Flow Rates to 25 GPM



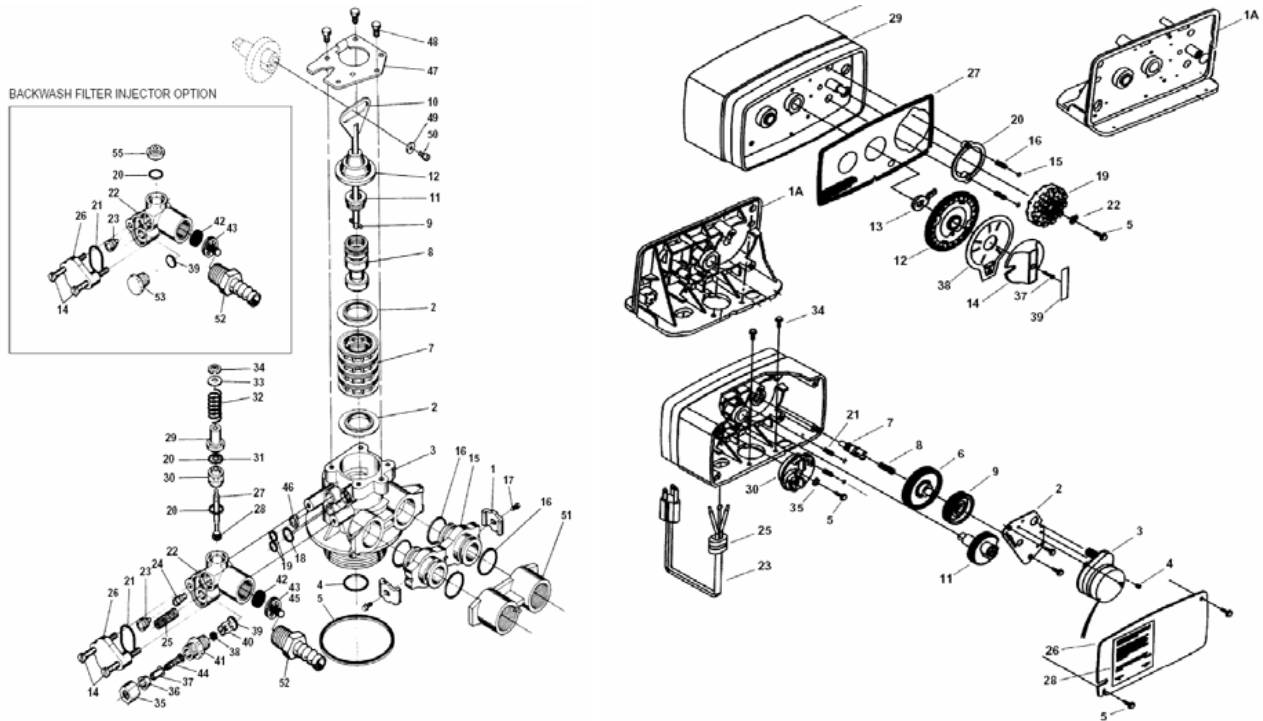
the future of water treatment

Envirowater Technologies Control Valve (Explode View)



Make The Right Choice Don't Be Left Behind

Fleck 5600 Control Valve (Explode View)



Enviro Water Technologies Phone: (902) 861-ENVIRO E-mail: info@envirowatertec.com